



DW-FL450

DW-FL450 is equipped with efficient refrigeration system, accurate control system and scientific structural design, energy saving and environmental protection.



Temp. uniformity



Pulling down to -40°C



Temp. recovery after door opened for 1 min

*Typical freezer data based on internal testing with freezer set point at -40°C and ambient temperature at 22°C.

Features



ABS drawers



Temperature control system
Display temp. in 0.1°C increments



Hydrocarbon refrigerant
Environment-friendly natural gas



CE certificate



Built-in data logger

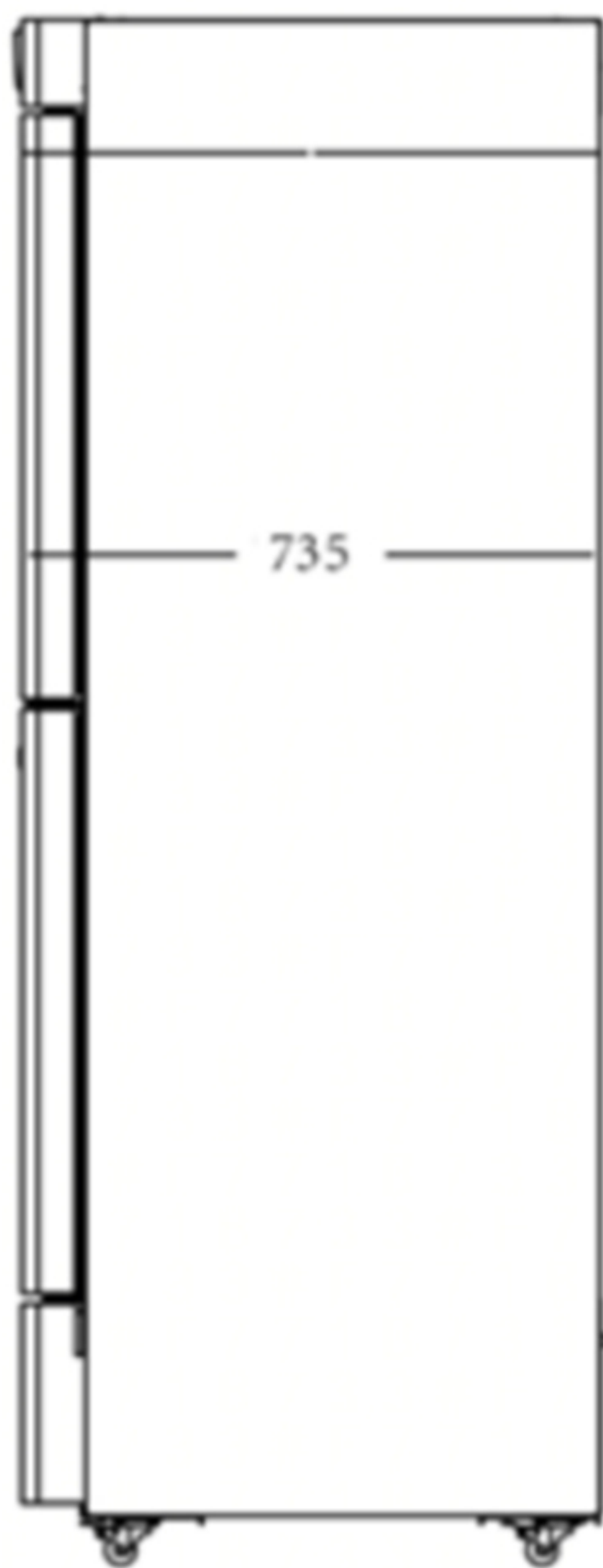
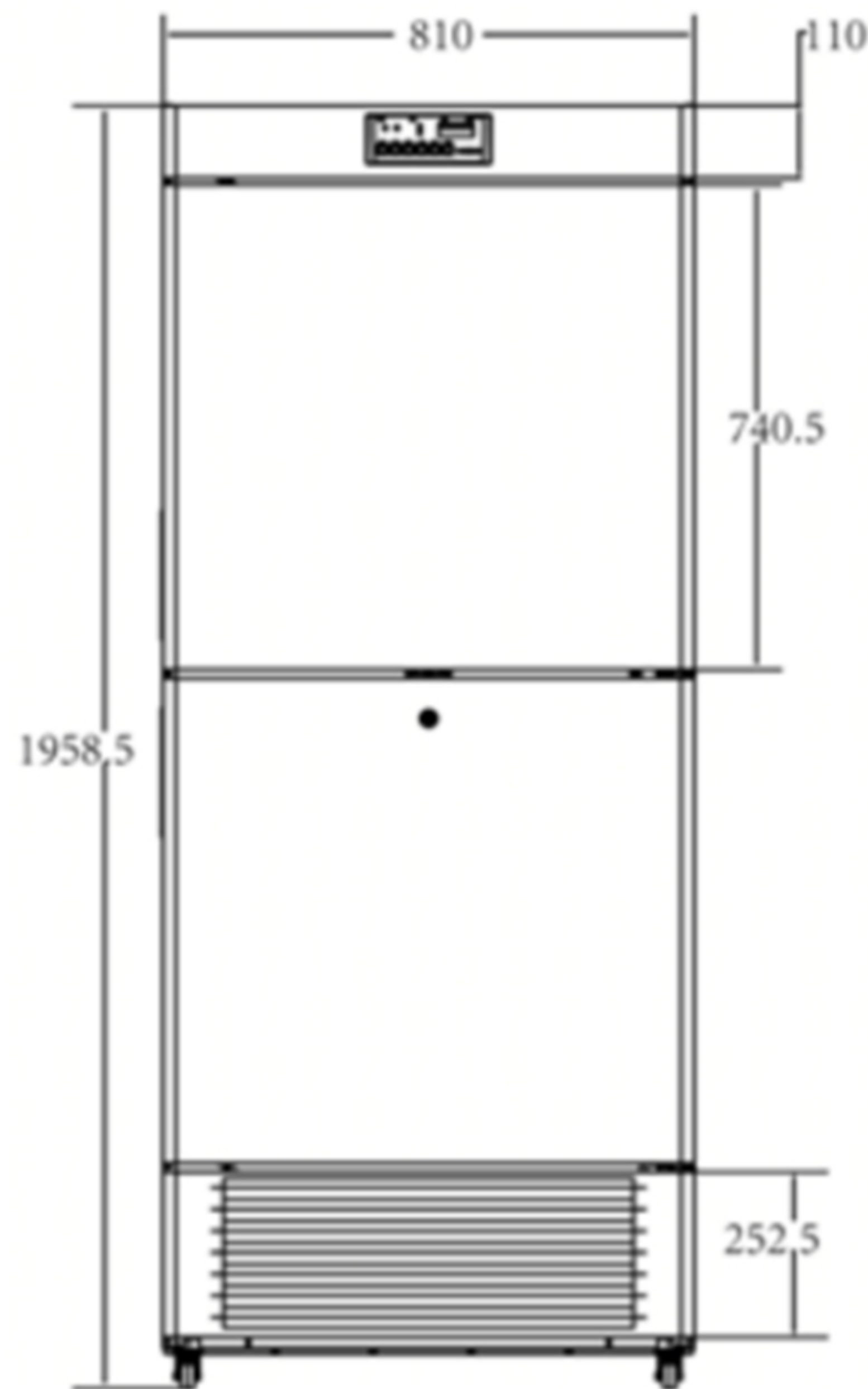


Alarms system
Multiple alarm functions

Structure



Dimensions



Specification

-40°C Ultra-low Temperature Freezer			
Model	DW-FL450		
Capacity	450L		
Internal Size (W*D*H) mm/inch	650*570*627*2/25.6*24.4*24.7*2		
External Size (W*D*H) mm/inch	856*789*1960/33.7*31.1*77.2		
Package Size (W*D*H) mm/inch	960*870*2144/37.8*34.3*84.4		
NW/GW (kgs)	144/172		
Performance			
Temperature Range	-20~-40°C		
Ambient Temperature	16-32°C		
Cooling Performance	-40°C		
Climate Class	N		
Controller	Microprocessor		
Display	Digital Display		
Refrigeration			
Compressors	2pcs		
Cooling Method	Direct Cooling		
Defrost Mode	Manual		
Refrigerants	R290		
Insulation Thickness(mm)	D:76, L/R:80, B:80		
Construction			
External Material	PCM		
Inner Material	Sprayed Aluminum Steel/Stainless steel (optional)		
Drawers	Upper chamber: 6 / Lower chamber: 6		
Access Test Port	2pcs. Ø 25 mm		
Casters	4(2 with brakes)		
Data Logging/ Interval /Recording Time	USB/Record every 10 minutes / 100,000 data		
Interface	Remote Alarm Contact, RS485		
Backup Battery	Yes		
Alarms			
Temperature	High/Low Temperature, High Ambient Temperature		
Electrical	Power Failure, Low Battery, Data Logger Failure		
System	Sensor Error,Data Communication Failure, Door Ajar		
Electrical Data			
Power Supply(V/Hz)	110V/60Hz	220-240V/50Hz	220-240V/60Hz
Rated Current (A)	5.26A	4.5A	3.71A