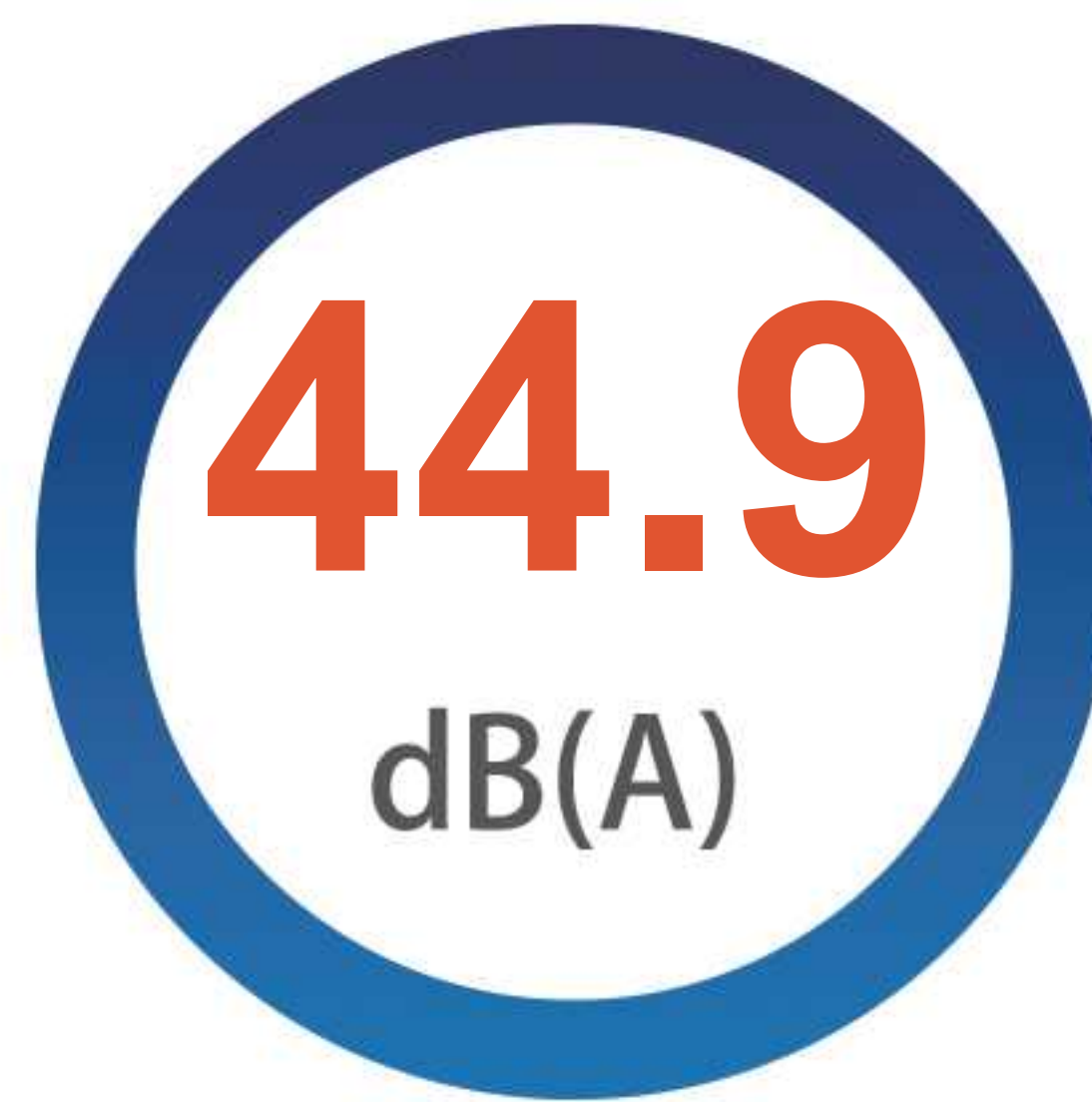




YC-525L

High-quality product
 Temperature uniformity
 Ensuring safety of storage



Noise



Pulling down to 5°C



Temp. recovery after door opened for 1 min

*Typical freezer data based on internal testing with freezer set point at 5°C and ambient temperature at 25°C.

Features



Temperature control system
 Display temp. in 0.1°C increments



Double-pane glass door
 Automative electric heating function



Hydrocarbon refrigerant
 Environment-friendly natural gas



CE certificate



Hidden handle

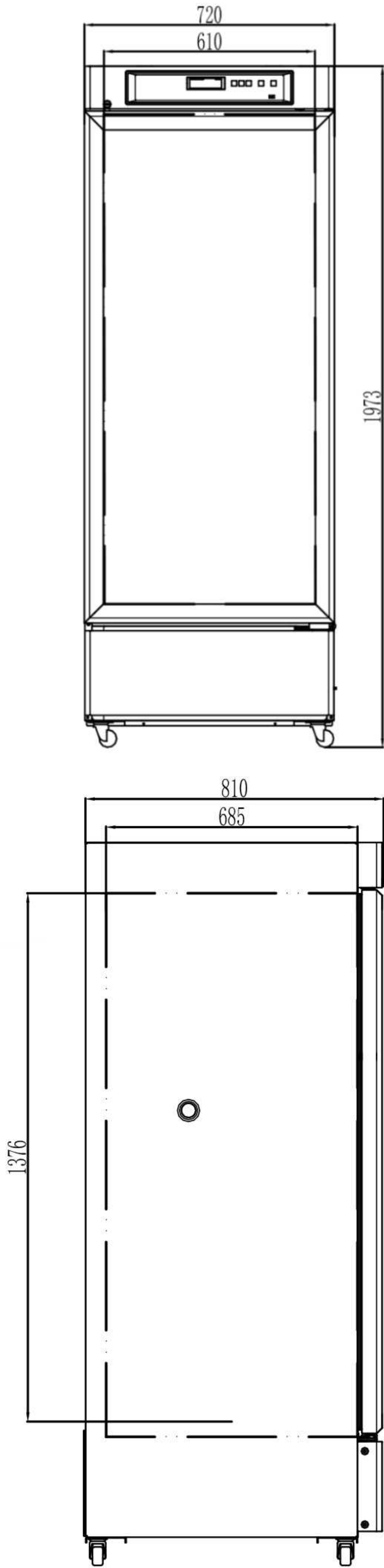


Alarms system
 Multiple alarm functions

Structure



Dimensions



Specification

2~8°C Pharmacy Refrigerator

Model	YC-525L	
Capacity	525L	
Internal Size (W*D*H) mm	610×685×1264	
External Size (W*D*H) mm	720*810*1973	
Package Size (W*D*H) mm	775*868*2130	
NW/GW (kgs)	127/141	
Performance		
Temperature Range	2~8°C	
Ambient Temperature	16~32°C	
Cooling Performance	5°C	
Climate Class	N	
Controller	Microprocessor	
Display	Digital Display	
Refrigeration		
Compressor	1pc	
Cooling Method	Air Cooling	
Defrost Mode	Automatical	
Refrigerant	R290	
Insulation Thickness(mm)	L/R:55, B:55, U/D:65/80	
Construction		
External Material	PCM	
Inner Material	Sprayed Aluminum Plate	
Shelves	6	
Access Test Port	1pc. Ø 23mm	
Casters	4+2	
Data Logging/Export	Record every 10 mins/Max.12 months via USB port	
Interface	Remote Alarm Contact, RS485	
Backup Battery	Yes	
Alarms		
Temperature	High/Low Temperature, High Ambient Temperature, Condenser High Temperature Alarm	
Electrical	Power Failure, Low Battery, Sensor Error	
System	Data Communication Failure, Door Ajar, Data Logger Failure	
Electrical		
Power Supply(V/Hz)	220V/50Hz	220-240V;50/60Hz
Rated Current(A)	2.49A	2.17A

*Zhongke Meiling reserves the right to change products and specifications without prior notice.